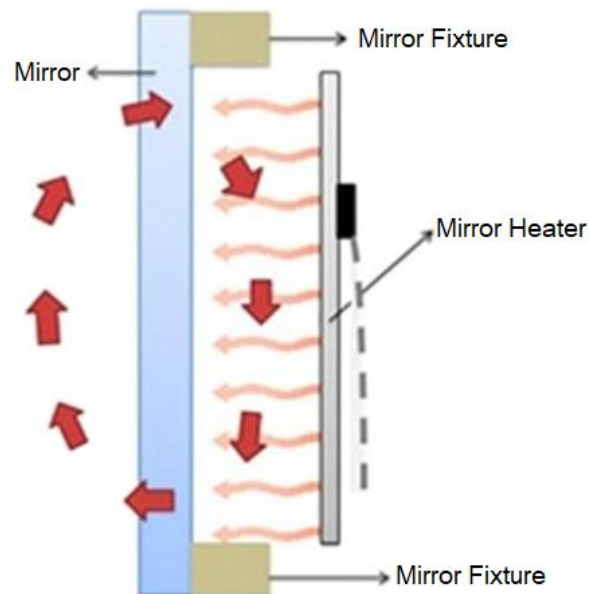


Mirror Demister (Mirror Defogger)

A mirror defogger is a self-adhesive sheet mounted on the reverse side of the mirror and works as anti-fogger for mirrors. In winters all mirrors in the bathroom steam up, mirror defogger is an ideal solution which prevents wiping the mirror every day, keeping the mirror fog free. By using COREWARM bathroom mirror defogger, you can eliminate any chances of a mirror getting fog and you won't need to waste your time in cleaning them after you take a shower as it remains crystal clear. Mirror defoggers come in a variety of sizes and shapes such as rectangle, oval and round and you can get the customized ones too.

Working Principle

A mirror defogger is in fact an ultra-thin heating foil which is installed in the back of the mirror and it transmits gentle warmth across the mirror's surface, preventing the steam's moisture from collecting on the colder mirror surface while you bathe or shower. These bathroom defoggers do not affect your electricity bill as they use very little electricity. They are long lasting, cost effective, and easy to install.



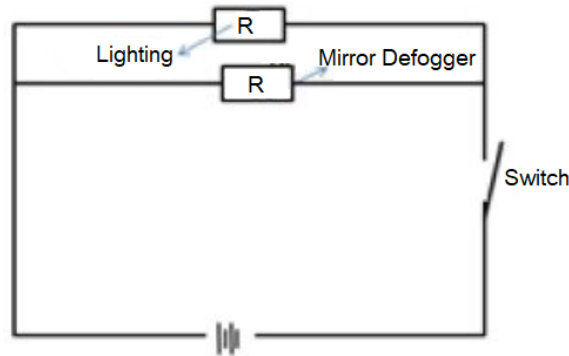
Wire Connection

Several defogger fitted to a single mirror should be wired in parallel. Care must be taken to ensure that the power supply is sufficient to take the load. Defogger must not overlap as this could cause hotspots and possible damage to the mirror.

G.K. Enterprises (P) Ltd.

Unit-I : C-7, Sector 58, Noida (U.P.)- 201301, India
Phone: +91 (120) 2406890, 2406889
Email: contact@gkayindia.com

Unit-II : C-6, Sector 65, Noida (U.P.)- 201301, India
Fax: +91 (011) 66173548
Website: www.gkayindia.com/www.geekoreindia.com



Technical Parameters

Voltage: 12V, 24V, 110V-240V

Watt: 180W-240W/m²

Thickness: 1.0 mm/ 0.4mm

Insulation Material: Aluminium Foil/ PET

Heating Conductor: Copper/ Copper Alloy

Temperature Rise: 10-20°C

Self-adhesive backing for ease of installation/ double side tape

Cable Lead: 1 meter (Can be customized)

Terminal Block: 30x30x5mm

Accreditations: CE, IP54

Features

Easy to install

Simply peel off the adhesive cover/ double side tape and stick it to the back of the mirror then connect the electrical connection lead to the lighting circuit. It is in the form of a thin film (0.40 mm-1.0 mm) and does not occupy any space.

Safe to use

Our mirror defoggers are double insulated and designed to spread warmth evenly across the surface of the mirror. The amount of heat on the surface of the mirror is regulated to clear only the steam and will never result in overheating the surface, even if it left ON for hours.

Efficient

Once the mirror defogger is turned ON, it takes only 2 to 3 minutes to warm up and clear the surface of the mirror.

Economical

The exceptionally low temperature ensures that the running costs are minimal.

Simplicity

No transformer or thermostat is required. Just wire it into the light circuit.

Warranty

5 years against manufacturing defect.

G.K. Enterprises (P) Ltd.

Unit-I : C-7, Sector 58, Noida (U.P.)- 201301, India

Phone: +91 (120) 2406890, 2406889

Email: contact@gkayindia.com

Unit-II : C-6, Sector 65, Noida (U.P.)- 201301, India

Fax: +91 (011) 66173548

Website: www.gkayindia.com/www.geekoreindia.com

Specifications

Mirror Defogger was developed specially for bathroom mirrors and is produced to the highest standards in various shapes, sizes and voltages.

Types: Rectangular, Oval, Round

1) Rectangular Mirror Defogger



Model No.	Size		Power (W)	Electricity Consumption (KW/h)
FFR-1826	450 X 650 mm	18" X 26"	57	0.057
FFR-2432	600 X 800 mm	24" X 32"	96	0.096
FFR-2436	600 X 900 mm	24" X 36"	108	0.108
FFR-3040	750 X 1000 mm	30" X 40"	150	0.15
FFR-3448	850 X 1200 mm	34" X 48"	204	0.204
FFR-4052	1000 X 1300 mm	40" X 52"	260	0.26
FFR-4860	1200 X 1500 mm	48" X 60"	360	0.36

G.K. Enterprises (P) Ltd.

Unit-I : C-7, Sector 58, Noida (U.P.)- 201301, India
 Phone: +91 (120) 2406890, 2406889
 Email: contact@gkayindia.com

Unit-II : C-6, Sector 65, Noida (U.P.)- 201301, India
 Fax: +91 (011) 66173548
 Website: www.gkayindia.com/www.geekoreindia.com

2) Oval Mirror Defogger



Model No.	Size		Power (W)	Electricity Consumption (KW/h)
FFO-1826	450 X 650 mm	18" X 26"	45	0.045
FFO-2432	600 X 800 mm	24" X 32"	76	0.076
FFO-2436	600 X 900 mm	24" X 36"	87	0.087
FFO-3040	750 X 1000 mm	30" X 40"	123	0.123
FFO-4048	1000 X 1200 mm	40" X 48"	201	0.201
FFO-4852	1200 X 1300 mm	48" X 52"	218	0.218

G.K. Enterprises (P) Ltd.

Unit-I : C-7, Sector 58, Noida (U.P.)- 201301, India
 Phone: +91 (120) 2406890, 2406889
 Email: contact@gkayindia.com

Unit-II : C-6, Sector 65, Noida (U.P.)- 201301, India
 Fax: +91 (011) 66173548
 Website: www.gkayindia.com/www.geekoreindia.com

3) Round Mirror Defogger



Model No.	Size		Power (W)	Electricity Consumption (KW/h)
FFC-1515	380 X 380 mm	15" X 15"	20	0.02
FFC-2020	520 X 520 mm	20" X 20"	41	0.041
FFC-2525	640 X 640 mm	25" X 25"	65	0.065
FFC-3131	780 X 780 mm	31" X 31"	99	0.099
FFC-3535	880 X 880 mm	35" X 35"	127	0.127
FFC-4040	1000 X 1000 mm	40" X 40"	166	0.166
FFC-4444	1100 X 1100 mm	44" X 44"	202	0.202
FFC-4848	1200 X 1200 mm	48" X 48"	243	0.243

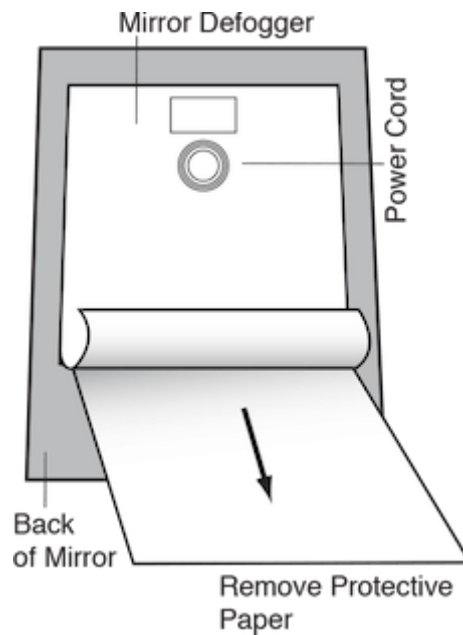
G.K. Enterprises (P) Ltd.

Unit-I : C-7, Sector 58, Noida (U.P.)- 201301, India
 Phone: +91 (120) 2406890, 2406889
 Email: contact@gkayindia.com

Unit-II : C-6, Sector 65, Noida (U.P.)- 201301, India
 Fax: +91 (011) 66173548
 Website: www.gkayindia.com/www.geekoreindia.com

Installation

A Shower mirror defogger is easy to install but the wiring should be as per the standards of National Electrical Code (NEC) to avoid any serious problems, so, the best practice is to get it installed by a certified and licensed professional. Once you are done with the wiring, follow the given steps to install the defogger.



step 1: Turn OFF the power supply in order to avoid any accident.

step 2: Make sure the mirror has no backing or it may reduce the heating effect.

step 3: Clean and dry the rear surface of the mirror. It's important for the installation of the shower mirror defogger.

step 4: Cut and prepare the heating element, it should be about 5 cm less than the actual size of the mirror to ensure the right placement.

step 5: Peel off the protection paper first in about 10 cm wide and fold the paper, adhere the mirror defogger with self-backing directly onto the back of mirror, using soft cloth to wipe defogger back. In the meantime, rip off the protection paper to stick the defogger onto mirror easily. Ensure that there are no trapped air bubbles and that the heater is Positioned where you would like.

step 6: Connect the wires of the mirror defogger with the power code following the electronic standards.

step 7: Mount the mirror on the wall, ensure that a gap is left between the heating pad and brick, tile or cement walls to avoid heat transfer away from the mirror. Turn ON switch and test heater. Heat should be noticeable within 2 to 3 minutes.

G.K. Enterprises (P) Ltd.

Unit-I : C-7, Sector 58, Noida (U.P.)- 201301, India
Phone: +91 (120) 2406890, 2406889
Email: contact@gkayindia.com

Unit-II : C-6, Sector 65, Noida (U.P.)- 201301, India
Fax: +91 (011) 66173548
Website: www.gkayindia.com/www.geekoreindia.com